

EVOLUTION WALLS



SHIPLAP SERIES Commercial Specification

Construction

- Three ply engineered construction with hardwood top veneer, wood fiber core and hardwood bottom veneer
- 100% North American Hardwood
- Self-Adhering Adhesive: Industrial grade. Flexible, double sided bonding adhesive

Veneer Grade: #1 common and better, sliced and spliced hardwood veneer

Top Layer Thickness 0.8mm

Core High Density Wood Fiber Board (HDF) made with 100% recycled forest content. Core density is 57 lbs per cubic foot; swelling coefficient 6%

Bottom layer Thickness 0.8mm

Total Thickness 1/4"

Width 5.1"

Lengths 12- 48" with over 80% full length boards

Edge Profile Overlapping shiplap on long sides of each board

ONE STYLE TRIM PIECE (OVERLAP EDGE) can be used to cap wall in any direction or with two pieces as inside/outside corner



MADE IN THE USA

Surface

Texture Smooth or wire brushed

Finish Three coats of polyurethane UV cured top coat

Sheen Low gloss 4-6%

Color Variation Varies by SKU

Installation

Method Peel & Stick

Applications Vertical, Horizontal or Ceiling (see Installation instructions)

Technical

Warranties 5 years on production construction

Smoke and Flame rating Class C-ASTM E-84

Environmental and LEED

Core HDF (high density fiberboard) is made with 100% pre-consumer wood waste

Compliance Carb 2 Compliant and Lacey Act Compliant

LEEP points 4 - Recycled content, MRc 6 - Regional Materials, IEQc - 4.1 Low emitting materials- adhesives, IEQC-4.2 Low emitting materials-coatings

EVOLUTION WALLS



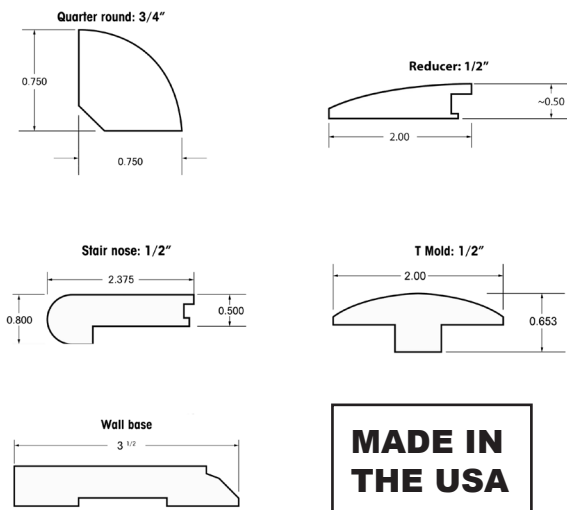
CONCORD SERIES Commercial Specification

Construction

- HDF core engineered with hardwood top veneer and hardwood bottom veneer
- 100% North America Hardwood: Black Walnut, Maple, Hickory & White Oak
- Tongue & Groove nail or glue installation

Veneer Grade	Varies by species
Top Layer Thickness	1mm
Core	HDF - all hardwood
Bottom layer Thickness	1mm
Total Thickness	1/2"
Width	5"
Lengths	12- 47.5"; 40% random lengths
Edge Profile	30 degree bevel all edges 19 sqft/carton

5 different trim pieces available



Surface

Texture	Smooth or wire brushed
Finish	Ceramic based aluminum oxide UV cured
Sheen	Low gloss

Installation

Method	Nail or glue
Applications	Wall or ceiling

Technical

Warranties	7 year on product construction
Smoke and Flame rating	

Environmental and LEED

Core	HDF (high density fiberboard) is made with 100% pre-consumer wood waste
Compliance	Carb 2 Compliant and Lacey Act Compliant
LEEP points	Recycled content, regional materials, low emitting materials

MADE IN THE USA